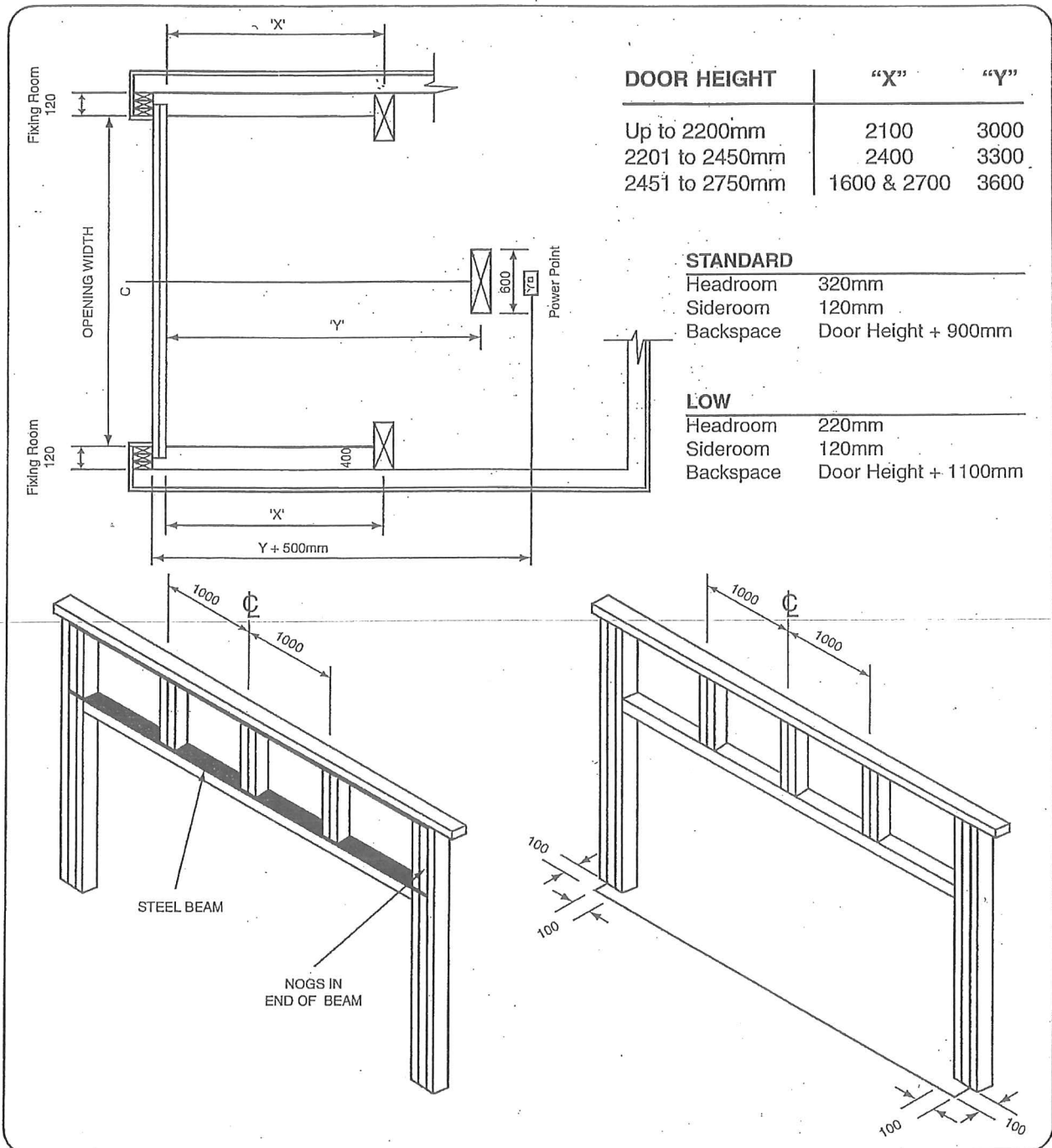


# BUILDERS FIXING DETAILS SECTIONAL GARAGE DOORS



**Note**

If using an architrave around the door opening use either of the following two options

- 1) Narrow architrave (less than 40mm) around perimeter of the opening
- 2) Wide architrave (more than 140mm) on the sides from the floor to the ceiling and in the centre of the lintel with a narrow one across the lintel

**PLEASE ENSURE GIB AND ARCHITRAVES ARE ON,  
GARAGE FLOOR IS CLEAR OF OBSTRUCTIONS  
AND OTHER TRADESPEOPLE ARE NOT WORKING IN THE GARAGE.  
CHARGES MAY APPLY IF THE ABOVE IS NOT MET.**